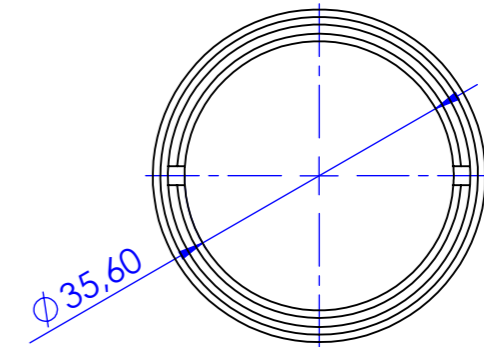
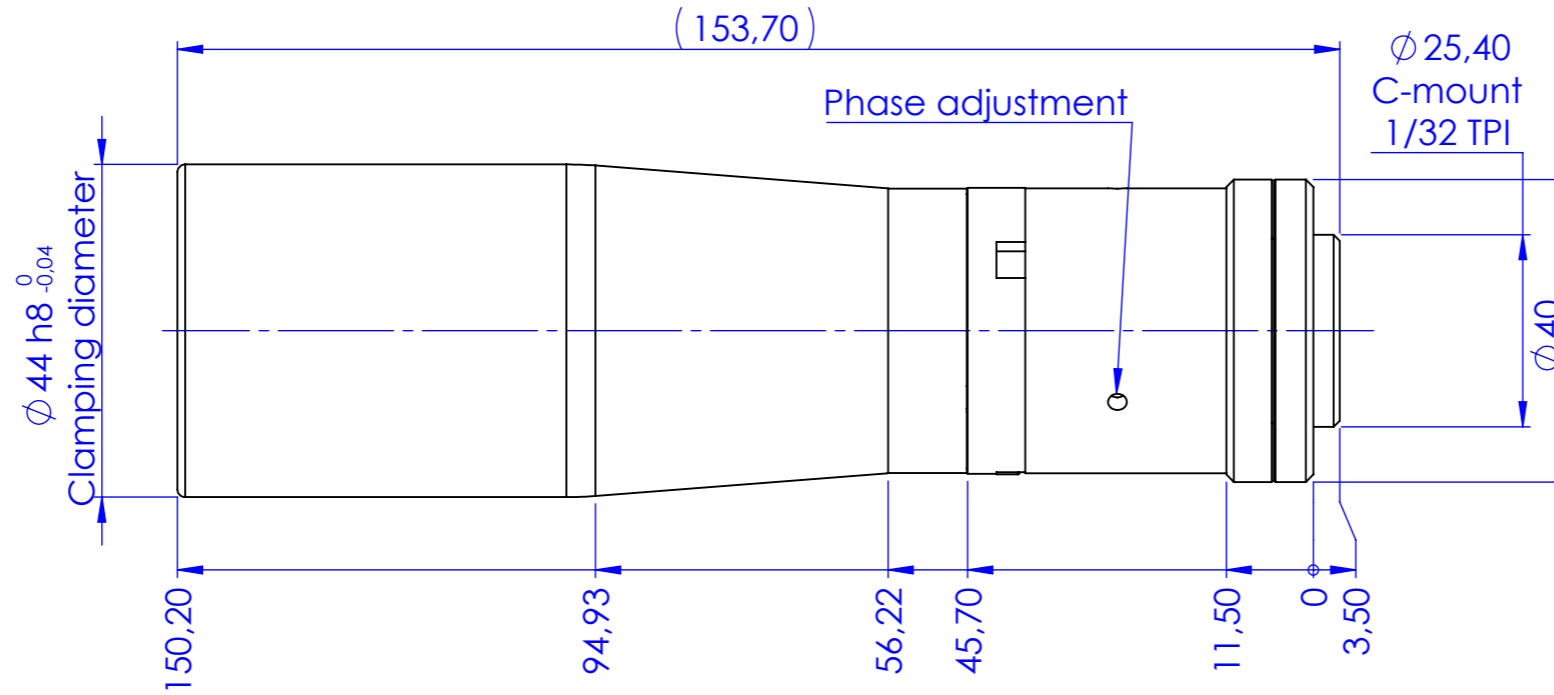


FOR MISSING DIMENSIONS SEE DW26177-A.STEP

1	2	3	4	5	6	7	8
Rev No.	Description					Date	Name



Material	N.A.			Mass	g	Scale	1:1	
Surface treatment	N.A.			Part No.	CO26177			
Geometrical tolerance (ISO 2768-2)			Class	K	Description TC1MHR024-C			
Linear tolerance (ISO 2768-2)			Class	m				
0.5 ±3	>3± 6	>6± 30	>30± 120	>120 ±400	>400± 1000	>1000 ±2000	>2000 ±4000	
±0.1	±0.1	±0.2	±0.3	±0.5	±0.8	±1.2	±2	
Undimensioned bevels			0.5x45°		Drawing No. DP 26177-A			
Undimensioned radii			R 0.5					
			Date	Name	Sheet 1/1			
			Designed	10/07/2017				Vasconetto
			Drawn	05/07/2018				Vasconetto
Checked						<i>Secret and confidential - All rights reserved - No copy, dissemination or circulation is allowed unless specifically authorized in writing by OPTO ENGINEERING S.r.l. - Any violation shall be legally prosecuted.</i>		
OPTO ENGINEERING S.r.l. - Mantova Italy - Tel. +39 0376 699111 - www.opto-engineering.com								

all dimensions are in mm