

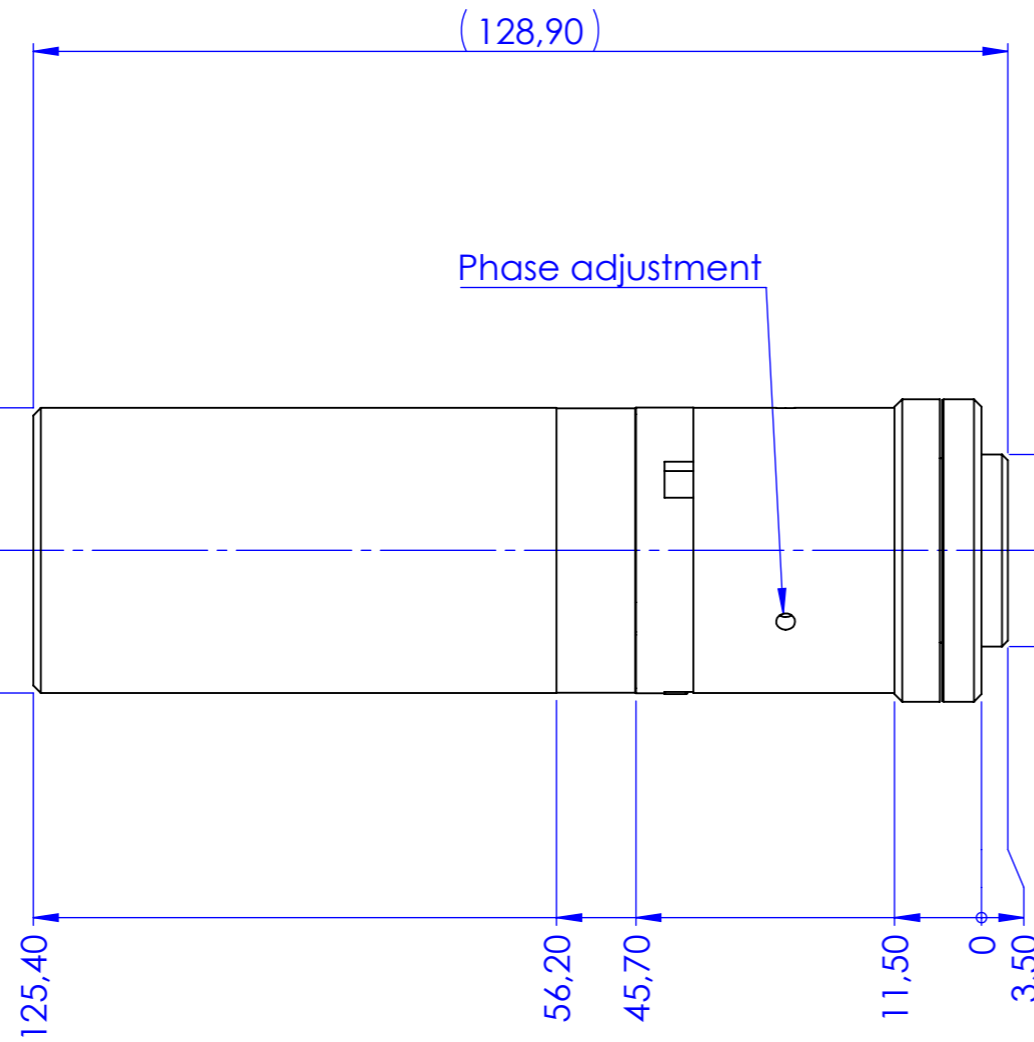
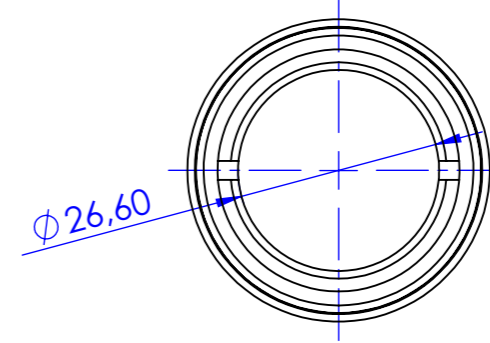
FOR MISSING DIMENSIONS SEE DW26176-A.STEP

Rev No.	Description	Date	Name

$\phi 37,70 \text{ h}8_{-0,04}^0$
Clamping diameter

Phase adjustment

$\phi 25,40$
C-mount
1/32 TPI



Material		N.A.		Surface treatment		N.A.		Mass		g		Scale		1:1	
Geometrical tolerance (ISO 2768-2)								Class		K		Undimensioned bevels		0.5x45°	
Linear tolerance (ISO 2768-2)								Class		m		Undimensioned radii		R 0.5	
0.5		>3÷		>6÷		>30÷		>120		>400÷		>1000		>2000	
±3		6		30		120		±400		1000		±2000		±4000	
±0.1		±0.1		±0.2		±0.3		±0.5		±0.8		±1.2		±2	
<p>OPTO ENGINEERING S.r.l. - Mantova Italy - Tel. +39 0376 699111 - www.opto-engineering.com</p>				Date		Name		Drawing No.		Sheet					
				Designed		10/07/2017		Vasconetto		DP 26176-A		1/1			
				Drawn		02/07/2018		Vasconetto							
Checked															
Secret and confidential - All rights reserved - No copy, dissemination or circulation is allowed unless specifically authorized in writing by OPTO ENGINEERING S.r.l. - Any violation shall be legally prosecuted.															

all dimensions are in mm

D
C
B
A

D
C
B
A

1 2 3 4 5 6 7 8

1 2 3 4 5 6 7 8

0 1 2 3 4 5 6 7 8 9 10