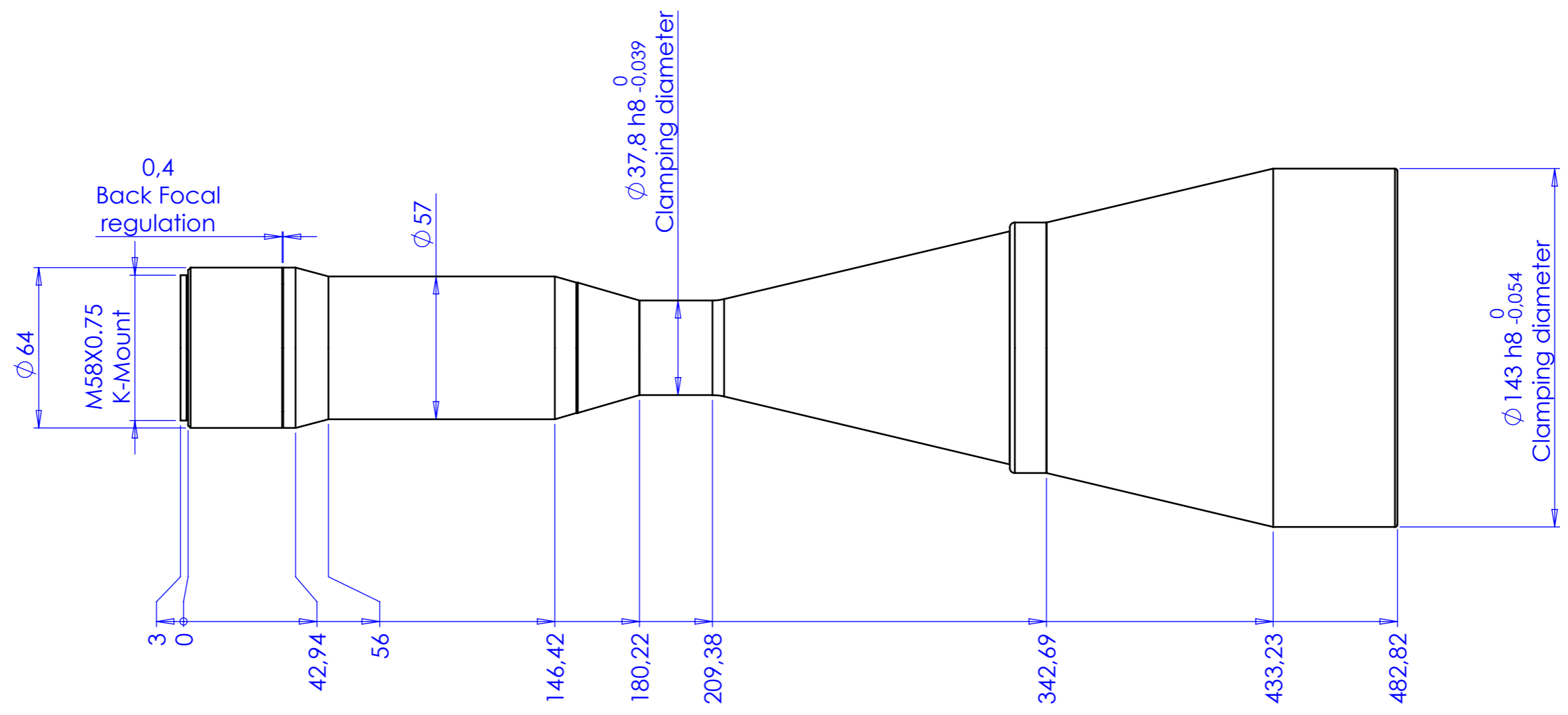


1 2 3 4 5 6 7 8

Rev No.	Description	Date	Name



D
C
B
A

D
C
B
A

Material N.A.			Mass 2863 g	Scale 1:2																																																															
Surface treatment N.A.			Part No. CO25586																																																																
Geometrical tolerance (ISO 2768-2) Linear tolerance (ISO 2768-2)			Description TC16M096-K																																																																
<table border="1"> <tr> <th>Class</th> <th>K</th> <th>Undimensioned bevels</th> <th>Undimensioned radii</th> </tr> <tr> <td>0.5</td> <td>>3</td> <td>0.5x45°</td> <td>R 0.5</td> </tr> <tr> <td>±3</td> <td>6</td> <td></td> <td></td> </tr> <tr> <td></td> <td>>6</td> <td></td> <td></td> </tr> <tr> <td></td> <td>30</td> <td></td> <td></td> </tr> <tr> <td></td> <td>>30</td> <td></td> <td></td> </tr> <tr> <td></td> <td>120</td> <td></td> <td></td> </tr> <tr> <td></td> <td>>120</td> <td></td> <td></td> </tr> <tr> <td></td> <td>±400</td> <td></td> <td></td> </tr> <tr> <td></td> <td>>400</td> <td></td> <td></td> </tr> <tr> <td></td> <td>1000</td> <td></td> <td></td> </tr> <tr> <td></td> <td>>1000</td> <td></td> <td></td> </tr> <tr> <td></td> <td>±2000</td> <td></td> <td></td> </tr> <tr> <td></td> <td>>2000</td> <td></td> <td></td> </tr> <tr> <td></td> <td>±4000</td> <td></td> <td></td> </tr> <tr> <td></td> <td>>4000</td> <td></td> <td></td> </tr> </table>	Class	K	Undimensioned bevels	Undimensioned radii	0.5	>3	0.5x45°	R 0.5	±3	6				>6				30				>30				120				>120				±400				>400				1000				>1000				±2000				>2000				±4000				>4000			Class Class m m		
Class	K	Undimensioned bevels	Undimensioned radii																																																																
0.5	>3	0.5x45°	R 0.5																																																																
±3	6																																																																		
	>6																																																																		
	30																																																																		
	>30																																																																		
	120																																																																		
	>120																																																																		
	±400																																																																		
	>400																																																																		
	1000																																																																		
	>1000																																																																		
	±2000																																																																		
	>2000																																																																		
	±4000																																																																		
	>4000																																																																		
		Date	Name	Drawing No.																																																															
Designed Drawn Checked		13/11/2014 27/11/2018	Santini Ccharly	DP 25586-A																																																															
Date Name Drawing No.		Sheet 1/1																																																																	
all dimensions are in mm OPTO ENGINEERING S.r.l. - Mantova Italy - Tel. +39 0376 699111 - www.opto-engineering.com <i>Secret and confidential - All rights reserved - No copy, dissemination or circulation is allowed unless specifically authorized in writing by OPTO ENGINEERING S.r.l. - Any violation shall be legally prosecuted.</i>																																																																			

1 2 3 4 5 6 7 8

0 1 2 3 4 5 6 7 8 9 10