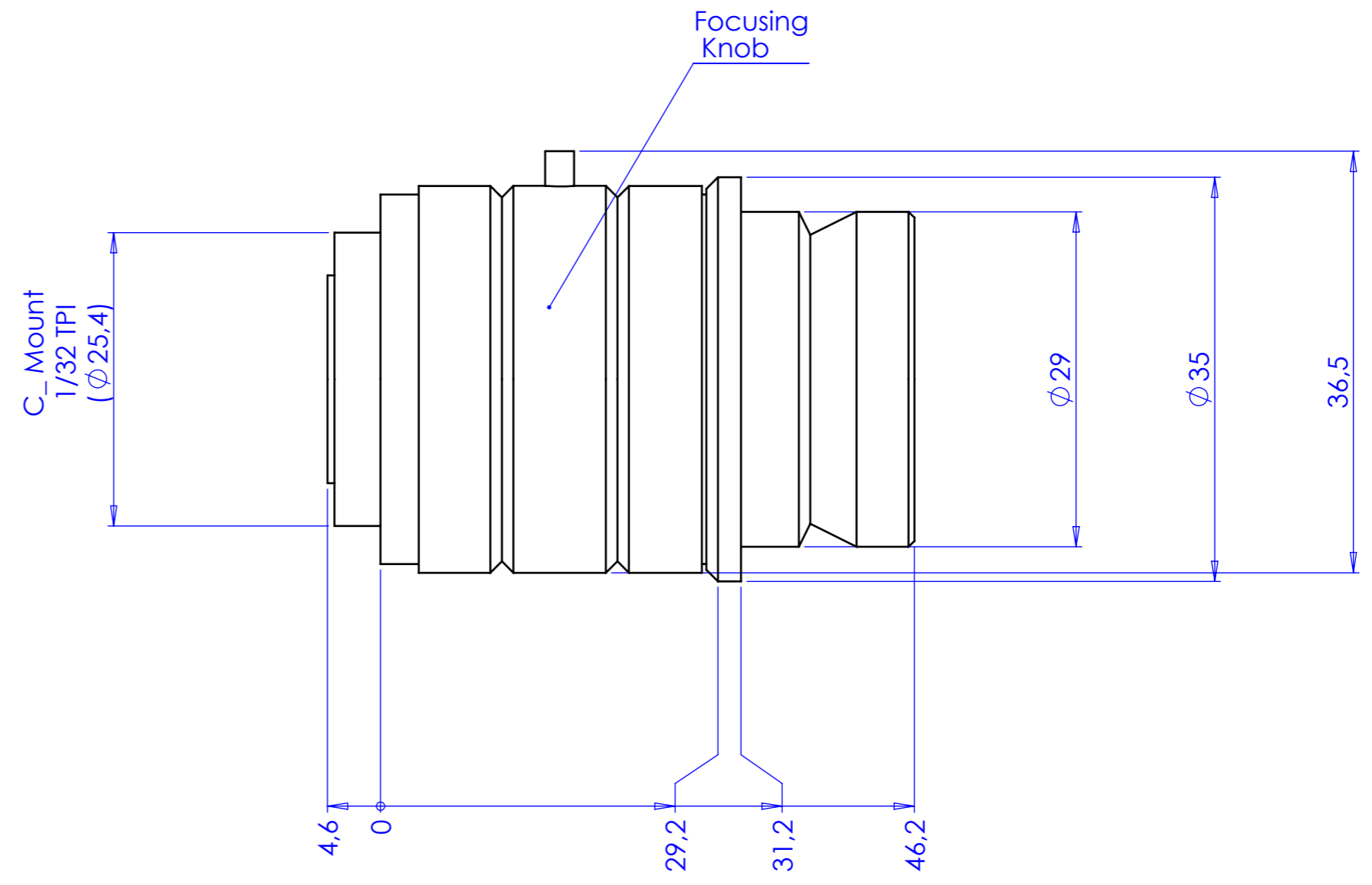
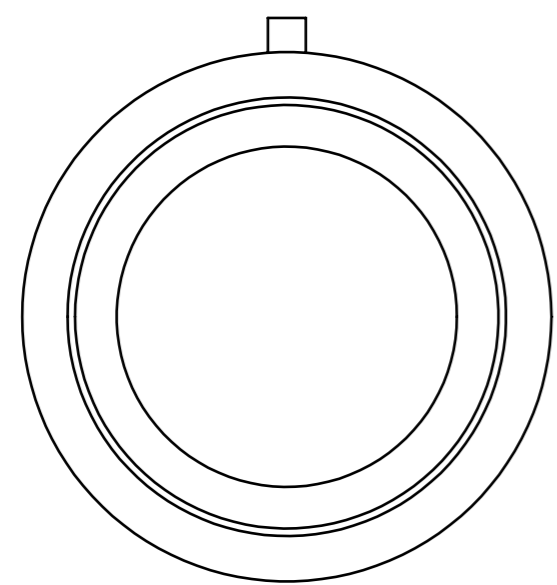


1 2 3 4 5 6 7 8

Rev No.	Description	Date	Name



D
C
B
A

D
C
B
A

Material	N.A.			Mass	90 gr	Scale	2:1
Surface treatment	N.A.			Project-Prod.item/Instrument OICDOXX - OIPW0XX			
Geometrical tolerance (ISO 2768-2)			Class	K	Description		
Linear tolerance (ISO 2768-2)			Class	m	Undimensioned bevels	0.5x45°	Layout
0.5 ±3	>3± 6	>6± 30	>30± 120	>120 ±400	>400± 1000	>1000 ±2000	
±0.1	±0.1	±0.2	±0.3	±0.5	±0.8	±1.2	±2
Undimensioned radii			R 0.5		Drawing No.		
			Date	Name	20530-0-A		Sheet
			Designed	30/10/2013	A.Bna	1/1	
			Draw	06/11/2013	A.Bna		
Checked			X	C. Sedazzari	Reproduction forbidden without specific authorization		

1 2 3 4 5 6 7 8

0 1 2 3 4 5 6 7 8 9 10