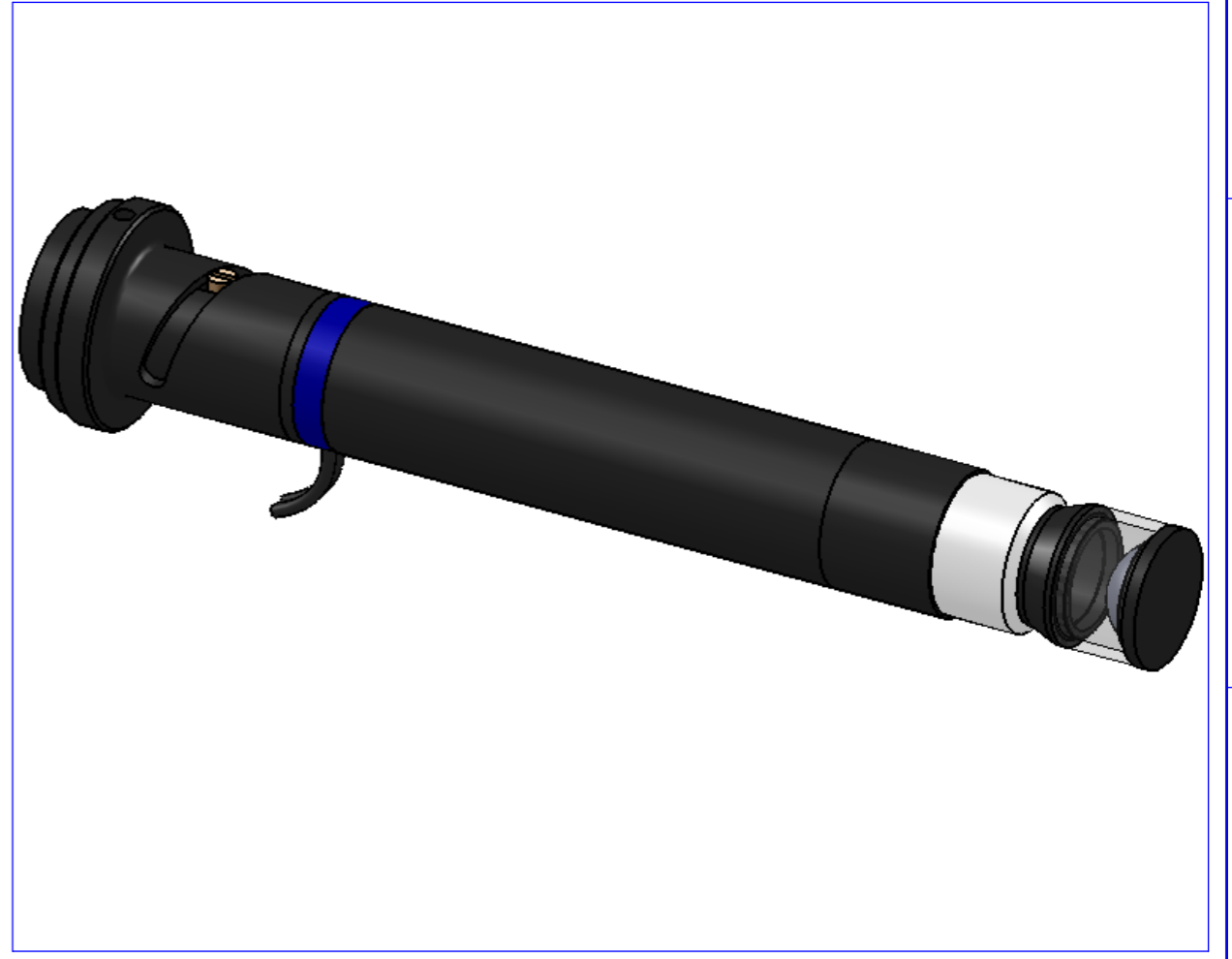
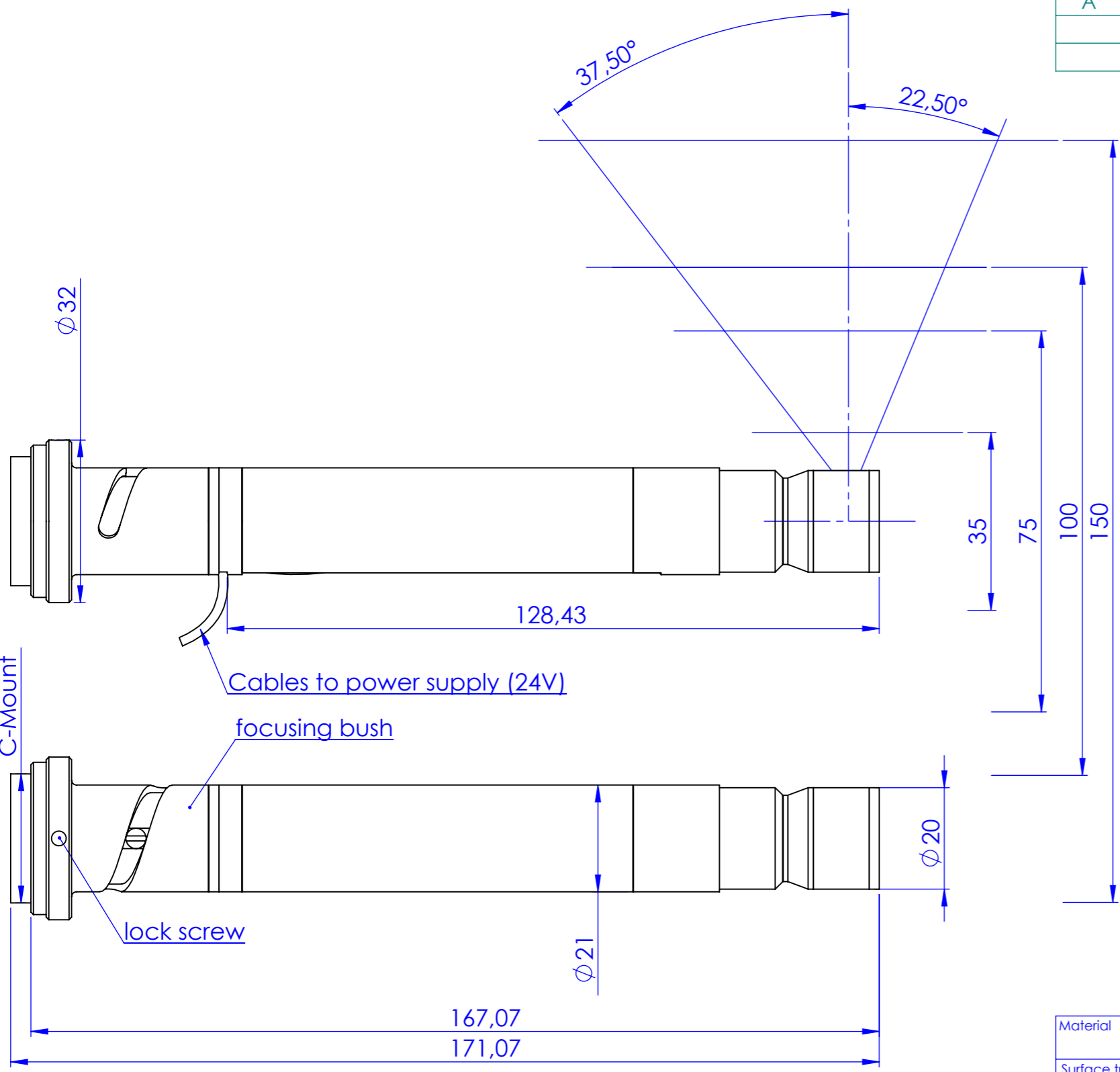


Rev No.	Description	Date	Name
A	New Assembly	27/08/10	N. Santini

D
C
B
A

D
C
B
A



Material	N.A.			Mass	112 g	Scale	1:1	
Surface treatment	N.A.			Project-Prod.item/Instrument		PCPB013		
Geometrical tolerance (ISO 2768-2)			Class	K	Description			
Linear tolerance (ISO 2768-2)			Class	m	Undimensioned bevels	0.5x45°	Pericentric Boroscope	
0.5	>3±	>6±	>30±	>120	>400±	>1000		Undimensioned radii
±3	6	30	120	±400	1000	±2000	R 0.5	
±0.1	±0.1	±0.2	±0.3	±0.5	±0.8	±1.2	±2	
			Date	Name	Drawing No.			
			Designed	27/04/10	N. Santini	19402-0-A		Sheet
			Draw	27/04/10	N. Santini			1/1
			Checked	X	C.Sedazzari	Reproduction forbidden without specific authorization		
OPTO ENGINEERING S.r.l. - 46100 Mantova Italy - Via Cremona, 29/2 - Tel. +39 0376 263525 - e-mail: info@opto-engineering.com - http://www.opto-engineering.com								