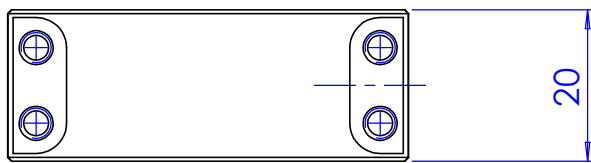
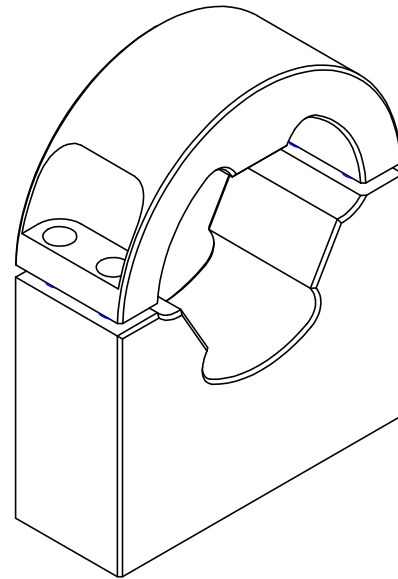
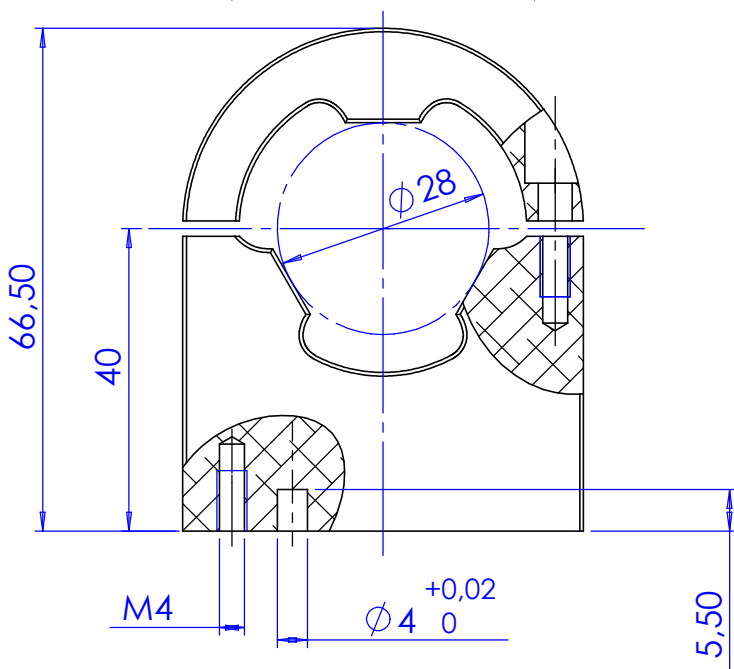
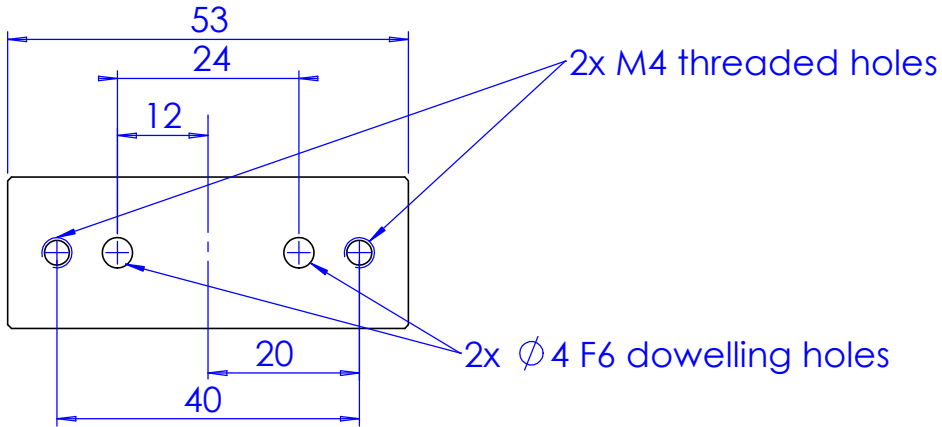


1	2	3	4
Rev No.	Description		Date
A	New Part		14/09/09
			N. Santini



Material Aluminum - UNI EN 573 EN AW 6063			Mass 113.76 g	Scale 1:2					
Surface treatment Grey Anodizing			Project-Prod.item/Instrument CMHO23						
Geometrical tolerance (ISO 2768-2)		Class K Class m	Undimensioned bevels 0.5x45°	Description CMHO23					
Linear tolerance (ISO 2768-2)					Undimensioned radii R 0.5				
0.5 ±3	>3÷ 6	>6÷ 30	>30÷ 120	>120 ±400	>400÷ 1000	>1000 ±2000	>2000 ±4000	Drawing No. 18865-0-A	
±0.1	±0.1	±0.2	±0.3	±0.5	±0.8	±1.2	±2	Sheet 1/1	
		Date		Name		Drawing No.		Sheet	
		Designed		14/09/09		N. Santini		18865-0-A	
		Draw		14/09/09		N. Santini			
Checked		X		C. Sedazzari		Reproduction forbidden without specific authorization			
OPTO ENGINEERING S.R.L. - 46100 Mantova Italy - Via Cremona, 29/2 - Tel. +39 0376 229585 - e-mai: info@opto-engineering.com - http://www.opto-engineering.com									