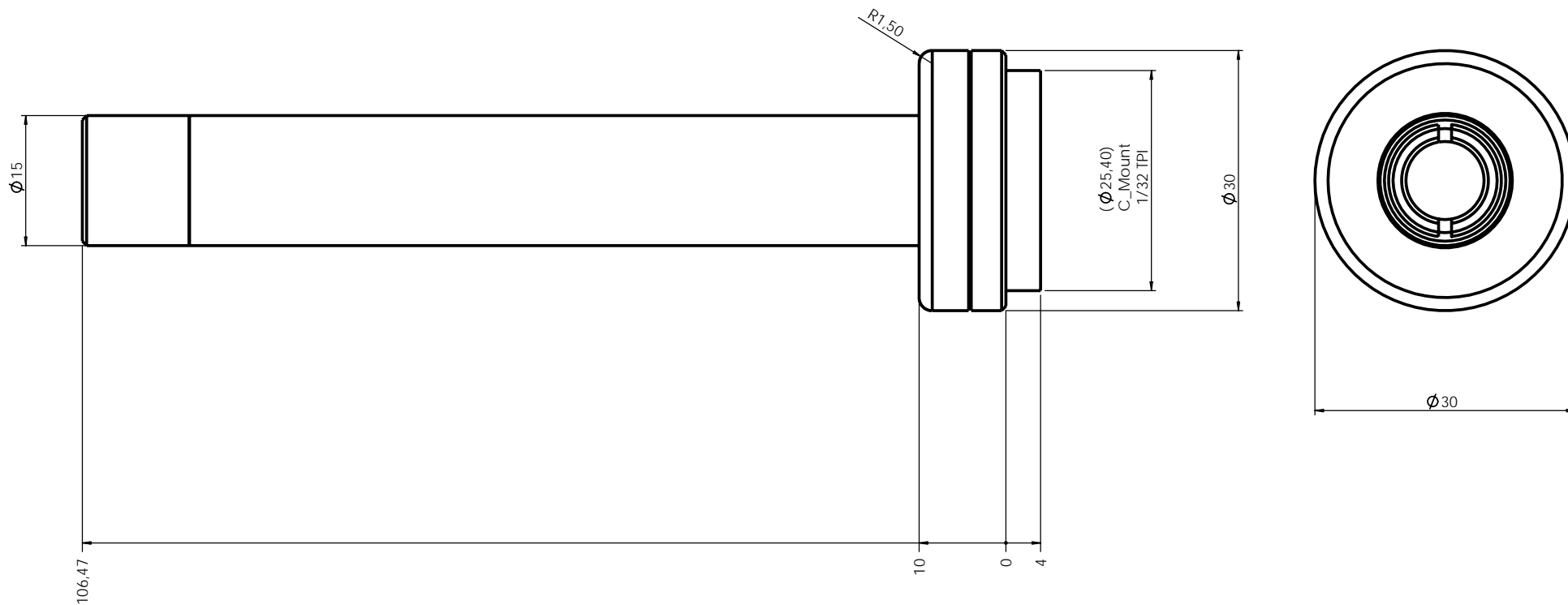


Rev No.	Description	Date	Name
B	MC3.00X layout	20/11/09	



Material	N.A.		Mass	50 gr.	Scale	2:1	
Surface treatment	N.A.		Project-Prod.Item/Instrument	MC3.00X			
Geometrical tolerance (ISO 2768-2)		Class	K	Undimensioned bevels	1x45°	Description MC3.00X layout	
Linear tolerance (ISO 2768-2)		Class	m	Undimensioned radii	R 0.5		
0.5	>3-	>6-	>30+	>120	>400+	>1000	>2000
-3	6	30	120	+400	1000	+2000	+4000
±0.1	±0.1	±0.2	±0.3	±0.5	±0.8	±1.2	±2
www.opto-engineering.com		Date	Name	Drawing No.	Sheet		
		Designed	15/10/09	13811-7-B	1/1		
		Draw	20/11/09				
		Checked	X				
OPTO ENGINEERING S.r.l. - 46100 Mantova Italy - Via Cremona, 29/2 - Tel. +39 0376 263565 - e-mail: info@opto-engineering.com - http://www.opto-engineering.com						Reproduction forbidden without specific authorization	