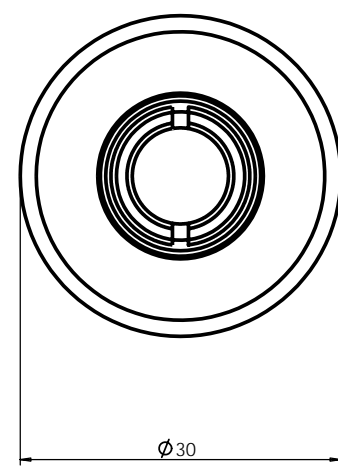
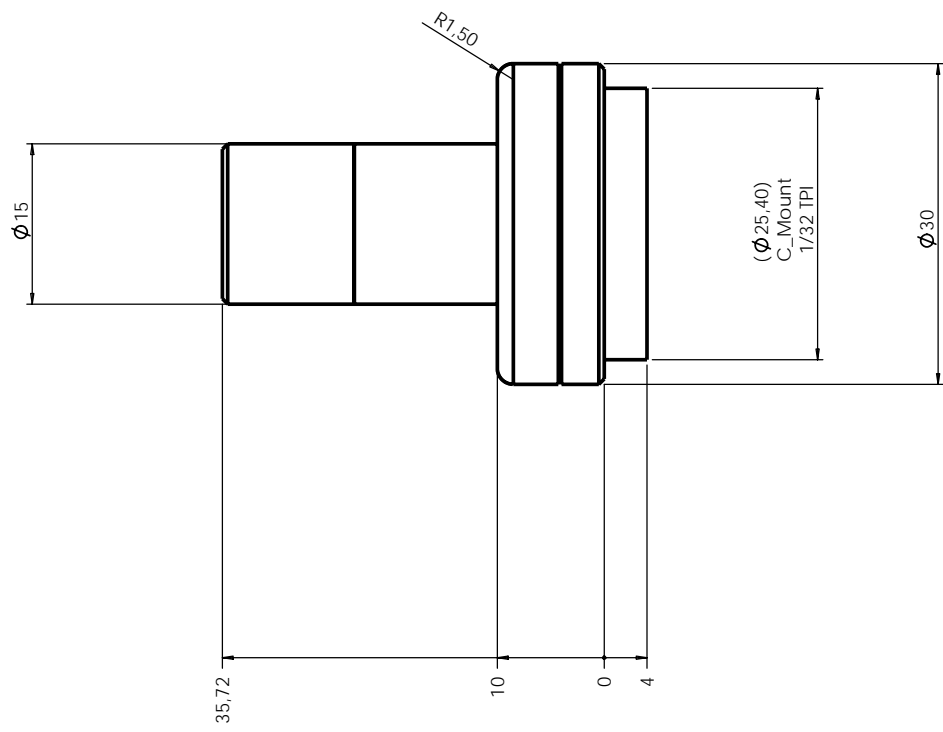


Rev No.	Description	Date	Name
B	MC0.50X layout	20/11/09	



Material		N.A.				Mass	50 gr.	Scale	2:1
Surface treatment		N.A.				Project-Prod.Item/Instrument MC0.50X			
Geometrical tolerance (ISO 2768-2)				Class	K	Undimensioned bevels		1x45°	
Linear tolerance (ISO 2768-2)				Class	m	Undimensioned radii		R 0.5	
0.5 ±3	>3± 6	>6± 30	>30± 120	>120 ±400	>400± 1000	>1000 ±2000	>2000 ±4000	Description MC0.50X layout	
±0.1	±0.1	±0.2	±0.3	±0.5	±0.8	±1.2	±2	Drawing No.	
		Date		Name		Drawing No.		Sheet	
Designed		15/10/09				13811-2-B		1/1	
Draw		20/11/09				Reproduction forbidden without specific authorization			
Checked		X							
OPTO ENGINEERING S.r.l. - 46100 Mantova Italy - Via Cremona, 29/2 - Tel. +39 0376 263565 - e-mail: info@opto-engineering.com - http://www.opto-engineering.com									

