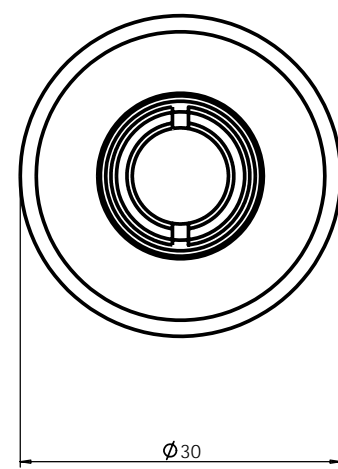
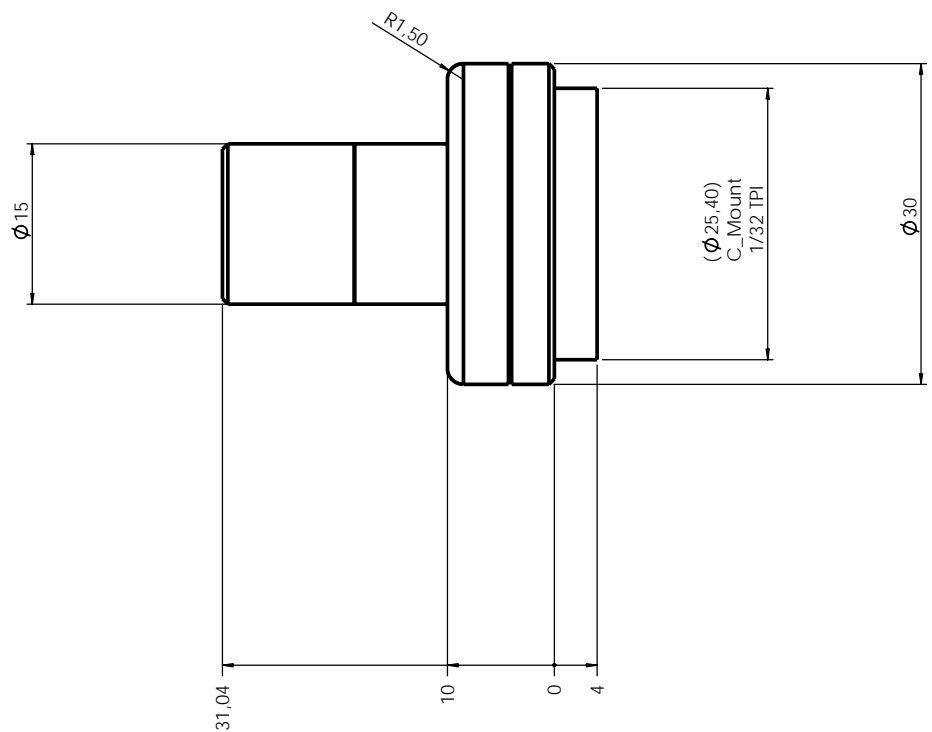


Rev No.	Description	Date	Name
B	MC0.33X layout	20/11/09	



Material		N.A.				Mass	50 gr.	Scale	2:1
Surface treatment		N.A.				Project-Prod.Item/Instrument			
						MC0.33X			
Geometrical tolerance (ISO 2768-2)		Class		K		Undimensioned bevels		1x45°	
Linear tolerance (ISO 2768-2)		Class		m		Undimensioned radii		R 0.5	
0.5	>3-	>6-	>30+	>120	>400+	>1000	>2000	Description	
-3	6	30	120	+400	1000	+2000	+4000		
±0.1	±0.1	±0.2	±0.3	±0.5	±0.8	±1.2	±2		
www.opto-engineering.com		Date		Name		Drawing No.		Sheet	
		Designed		15/10/09		13811-1-B		1/1	
		Draw		20/11/09					
		Checked		X					
OPTO ENGINEERING S.r.l. - 46100 Mantova Italy - Via Cremona, 29/2 - Tel. +39 0376 263565 - e-mail: info@opto-engineering.com - http://www.opto-engineering.com									

