

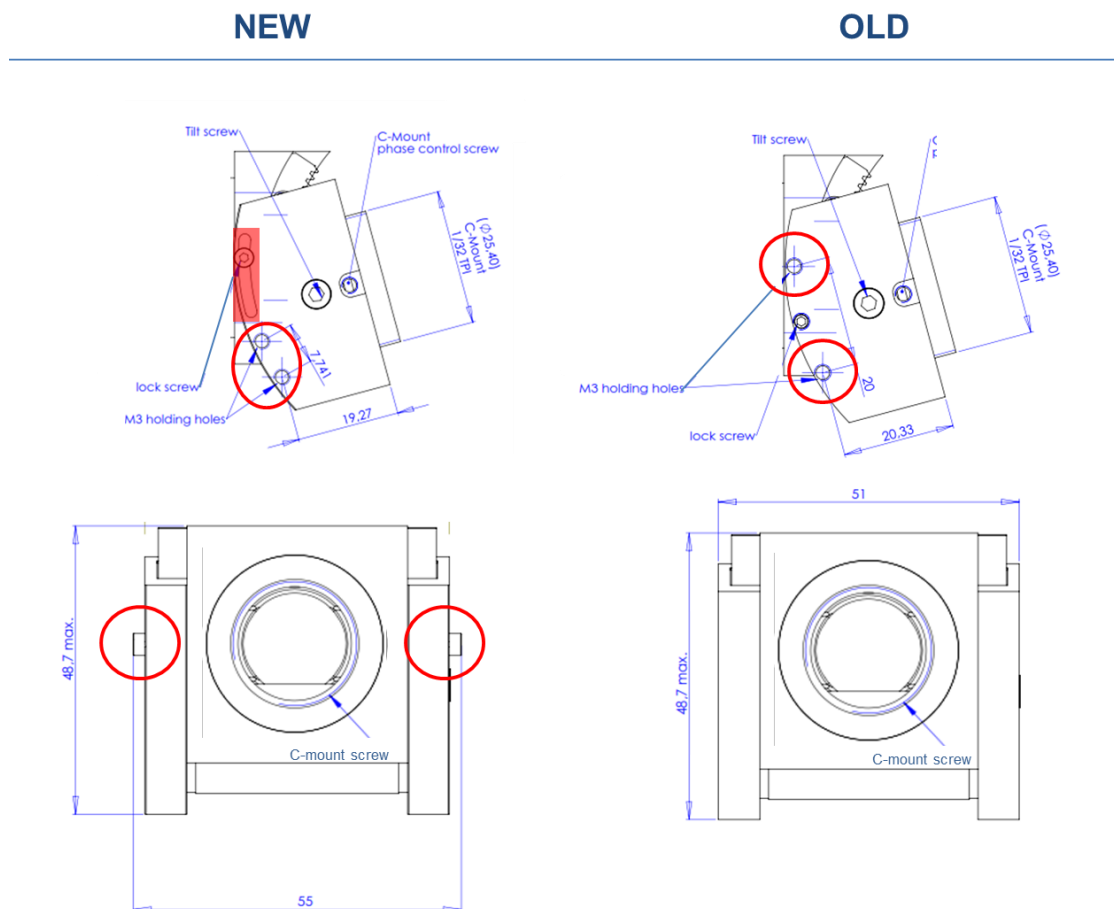
TCSM series update notification

October 9th, 2015

Dear Valued Customer,

A new version of Opto Engineering TCSM series has been released: it now features a more robust locking mechanism of the Scheimpflug tilt.

Find differences between NEW and OLD versions here below:



Please note that

1. Mechanical slots for the lock screws on both sides have been added
2. Heads of the lock screws lean out from the mechanical body in the new version
3. Positions of the lateral M3 holding holes have changed

Please check compatibility of the new version of TCSM series into existing systems.

- **ORDERS**

- Orders with shipment date starting from 01/02/2016 will receive new TCSM series
- Orders with shipment date until 31/01/2016 will receive old TCSM series

- **DEMO UNITS**

- Demo units for new TCSM series will be available from 01/01/2016: after this date, only demo units of the new version will be shipped
- Demo units for old TCSM series are available until 30/11/2015: after this date, demo units of the old version will no longer be shipped.

You will find further information about TCSM series at
<http://www.opto-engineering.com/products/3d-bi-telecentric-lenses>

In order to assist you and allow for future planning, we will offer a last-time buy opportunity of the old version of TCSM series to support your needs. Production of OLD TCSM series will be discontinued on 31/01/2016: after this date old version of TCSM will no longer be produced¹.

All enquires and requests should be directed through the normal sales channels.
Contact our sales engineers ahead of such dates to discuss about your specific needs

NOTES

¹ After this date the availability of these products for sale is subject to remainings in stock.