

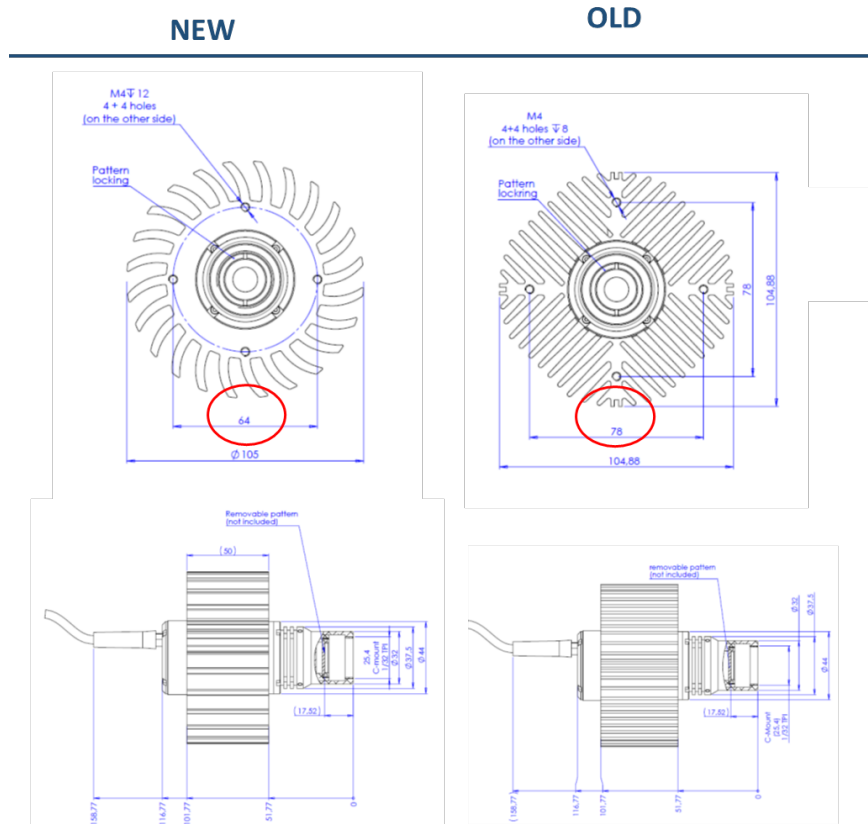
# LTPRXP series update notification

October 6<sup>th</sup>, 2016

Dear Valued Customer,

A new version of Opto Engineering LTPRXP series has been released: it now features a new heatsink component.

Find differences between NEW and OLD versions here below:



Please note that

1. Positions of the M4 threaded holes is changed: clamping diameter is now  $\varnothing 64$  mm instead of  $\varnothing 78$  mm
2. External diameter of the heatsink is changed: external diameter is now  $\varnothing 105$ mm instead of  $\varnothing 104.88$  mm
3. Mass: mass is now 800 g instead of 700 g

Please check compatibility of the new version of LTPRXP series into existing systems.

Production of OLD LTPRXP series has been discontinued.

All enquires and requests should be directed through the normal sales channels.  
 Please contact our sales engineers to discuss about your specific needs